

## Datalogic S.r.l.

Via San Vitalino 13  
40012 Calderara di Reno (BO)  
Italy  
Tel. +39 051 3147011  
Fax +39 051 3147205

### ©2020 Datalogic S.p.A. and/or its affiliates

All rights reserved. Without limiting the rights under copyright, no part of this documentation may be reproduced, stored in or introduced into a retrieval system, or transmitted in any form or by any means, or for any purpose, without the express written permission of Datalogic S.p.A. and/or its affiliates.

Owners of Datalogic products are hereby granted a non-exclusive, revocable license to reproduce and transmit this documentation for the purchaser's own internal business purposes. Purchaser shall not remove or alter any proprietary notices, including copyright notices, contained in this documentation and shall ensure that all notices appear on any reproductions of the documentation.

Electronic versions of this document may be downloaded from the Datalogic website ([www.datalogic.com](http://www.datalogic.com)). If you visit our website and would like to make comments or suggestions about this or other Datalogic publications, please let us know via the "Contact" page.

### Disclaimer

Datalogic has taken reasonable measures to provide information in this manual that is complete and accurate, however, Datalogic shall not be liable for technical or editorial errors or omissions contained herein, nor for incidental or consequential damages resulting from the use of this material. Datalogic reserves the right to change any specification at any time without prior notice.

### Trademarks


Datalogic and the Datalogic logo are registered trademarks of Datalogic S.p.A. in many countries, including the U.S.A. and the E.U.

Matrix 320 and P2x-Series are trademarks of Datalogic S.p.A. and/or its affiliates. All other brand and product names may be trademarks of their respective owners.

## SUPPORT THROUGH THE WEBSITE

Datalogic provides several services as well as technical support through its website.

Log on to [www.datalogic.com](http://www.datalogic.com).

For quick access, from the home page click on the search icon , and type in the name of the product you're looking for. This allows you access to download Data Sheets, Manuals, Software & Utilities, and Drawings.

Hover over the Support & Service menu for access to Services and Technical Support.

## PATENTS

See [www.patents.datalogic.com](http://www.patents.datalogic.com) for patent list.

# MATRIX 320™ AND P2x-SERIES™ ACCESSORIES

## QUICK REFERENCE GUIDE





## Covers, filters, and mounting brackets

### ©2020 Datalogic S.p.A. and/or its affiliates

• All rights reserved • Without limiting the rights under copyright, no part of this documentation may be reproduced, stored in or introduced into a retrieval system, or transmitted in any form or by any means, or for any purpose, without the express written permission of Datalogic S.p.A. and/or its affiliates • Datalogic and the Datalogic logo are registered trademarks of Datalogic S.p.A. in many countries, including the U.S. and the E.U.

[www.datalogic.com](http://www.datalogic.com)



821007150 (Rev. A) October 2020

## Standard Cover LT 14 and 36 LEDs

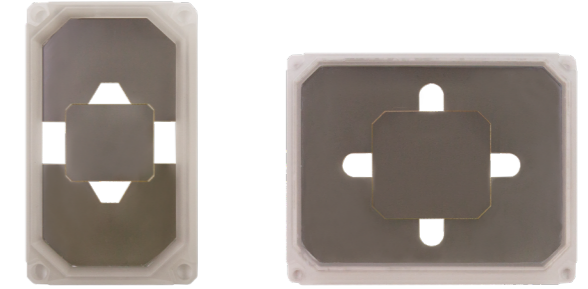


Standard cover LT 14 LEDs

Standard cover LT 36 LEDs

Description	Order number
Cover STD LT 14L M320/P2	93ACC0271
Cover STD LT 36L M320/P2	93ACC0272

## Polarizing Cover LT 14 and 36 LEDs



Polarizing Cover LT 14 LEDs

Polarizing Cover LT 36 LEDs

Description	Order number
Cover Polarizer LT 14L M320/P2	93ACC0273
Cover Polarizer LT 36L M320/P2	93ACC0274

## COVER REPLACEMENT



**CAUTION:** The reader must be disconnected from the power supply during the cover replacement procedure.

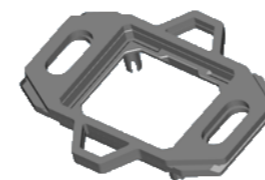


**CAUTION:** Make sure to operate in a dust-free environment during the cover replacement procedure.

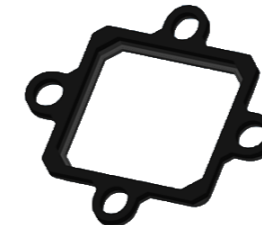
1. Unscrew the four screws using a 2.5 mm Allen wrench.
2. Remove the cover. The cover will remain attached to the body because of the gasket. To unmount it properly, it is recommended to gently lever the cover from its corners using a flat blade screwdriver between the cover and the body of the reader. See Fig. 1 and Fig. 2.



**NOTE:** When removing the cover to replace it, the Poron filter frame might stick to the removed window. Make sure to reassemble it.



Poron filter frame  
(14 LEDs illuminator model)



Poron filter frame  
(36 LEDs illuminator model)



**NOTE:** All cover accessories are supplied with a mounted gasket. When replacing the cover, the gasket may remain attached to the base. Make sure to remove the old gasket, since the new cover is already supplied with its own gasket.

3. Make sure the new cover is free of dust, dirt and fingerprints. If necessary, wipe it clean using soft material and alcohol. Avoid any abrasive substances.



**NOTE:** The cover has a predefined mounting direction (see Fig. 3 and Fig. 4). For the 14 LEDs model (Fig. 3), make sure to align the identification grooves to the right side. For the 36 LEDs model (Fig. 4), the illuminator has one pin different from the other three: make sure to align this special pin with the correspondent cover seat.

4. Place the new cover on the reader and press the cover frame edges.



**CAUTION:** To avoid damage, do not press on the window.

5. Insert the four screws and loosely tighten them in a clockwise direction.
6. Finally tighten the screws to a torque of 0.8 N m.

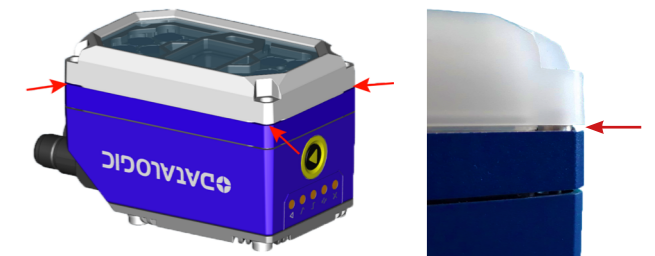


Fig. 1 - Removing the cover (14 LEDs model)



Fig. 2 - Removing the cover (36 LEDs model)

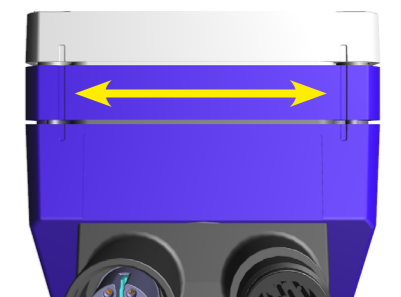


Fig. 3 - Aligning the cover (14 LEDs model)

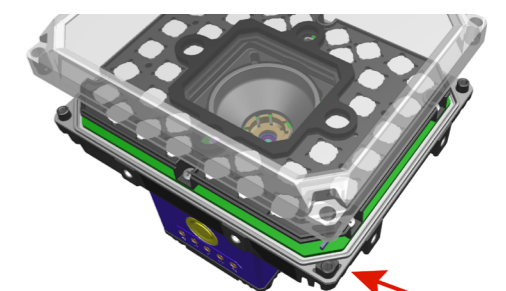
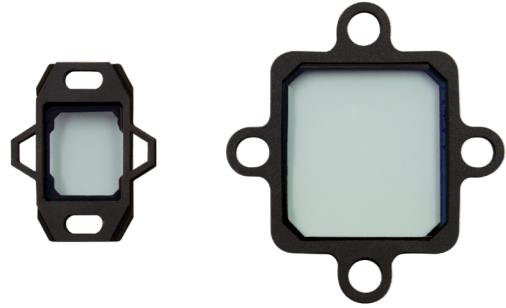


Fig. 4 - Aligning the cover (36 LEDs model)

## YAG Cut Filter LT 14 and 36 LEDs



YAG Cut Filter LT 14 LEDs

YAG Cut Filter LT 36 LEDs

Description	Order number
Filter YAG Cut LT 14L M320/P2	95A900018
Filter YAG Cut LT 36L M320/P2	95A900022

## YAG CUT FILTER MOUNTING INSTRUCTIONS

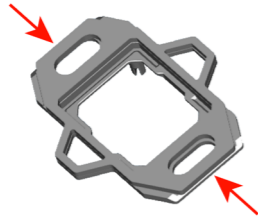


**CAUTION:** The reader must be disconnected from the power supply during the procedure.

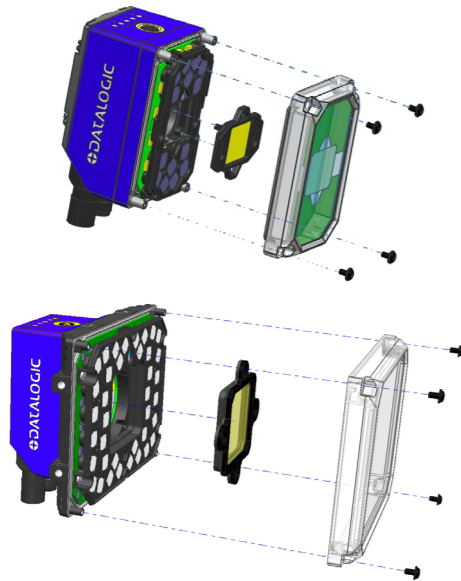


**CAUTION:** Make sure to operate in a dust-free environment during the procedure.

1. Temporarily remove the front cover. Refer to the "Cover replacement" section on the front side.
2. Unmount the original light shield (or any other filter) grabbing it from the sides and pulling it up.
3. Place the filter in the appropriate location. The filter is equipped with two pins at the bottom that guide its insertion into the product.



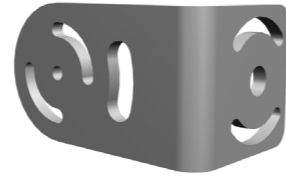
**NOTE:** You can mount the filter in two equivalent directions by rotating it 180°.



**CAUTION:** Make sure that the filter is correctly placed without any tilt before mounting the cover back on the reader body.

4. Finally, mount the cover back on the reader body. Refer to the "Cover replacement" section on the front side.

## Standard Fix Bracket



Standard Fix Bracket

Description	Order number
BK-32-000 STD FIX BRACKET M320/P2 BODY	93ACC0282

## MOUNTING THE STANDARD FIX BRACKET

The package contains the following materials to mount the Standard Fix Bracket:

- 1 Standard Fix Bracket
- 3 silver screws
- 3 silver washers



**NOTE:** Make sure that the heat sink is already installed on the reader before mounting the bracket (refer to the Heat Sink Mounting Instructions).

To install the bracket on the reader, follow this procedure:

1. Insert the silver screws and silver washers through the bracket and thread them loosely into the heat sink. The bracket is provided with curved slots both on the reader side and the frame side, which allow installing the bracket on various axes.

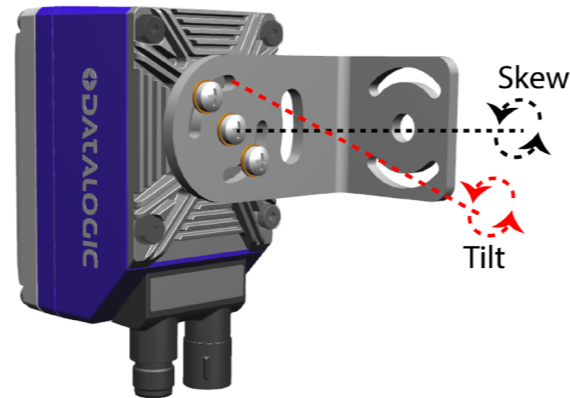


Fig. 5 - Positioning with Standard Fix Bracket

2. Tighten the screws.

## Pivot Fix Bracket



Pivot Fix Bracket

Description	Order number
BK-32-010 PIVOT FIX BRACKET M320/P2 BODY	93ACC0283

## MOUNTING THE PIVOT FIX BRACKET

The package contains the following materials to mount the Pivot Fix Bracket:

- 1 Pivot Fix Bracket (body side)
- 1 Pivot Fix Bracket (frame side)
- 6 silver screws
- 6 silver washers



**NOTE:** Make sure that the heat sink is already installed on the reader before mounting the bracket (refer to the Heat Sink Mounting Instructions).

The body side of the Pivot Fix Bracket has two hole sets to be used based on the desired installation. The two sets can be identified by the different machining on the holes (see Fig. 6):

- SET 1 with countersunk holes, used for compact mounting;
- SET 2 with standard holes, used for extended mountings.

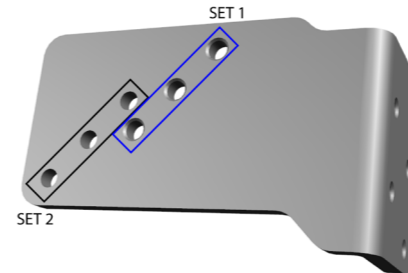


Fig. 6 - Pivot Fix Bracket (body side)

## Pivot Fix Bracket: Compact Mounting

Compact mounting allows installations with minimal side space and reader optical axis aligned with the bracket central hole.

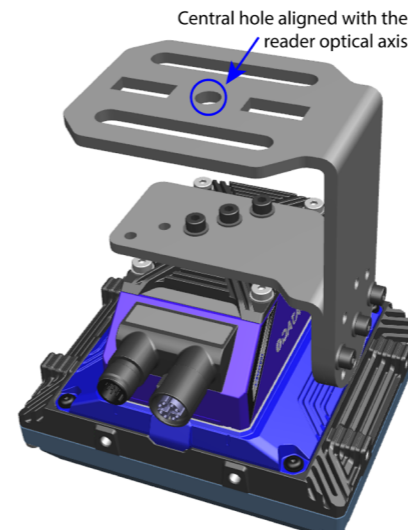


Fig. 7 - Compact mounting

## Pivot Fix Bracket: Extended Mounting

Extended mounting allows side installations with wider range of tilt angles than compact mounting (because the side bracket frame is outside the reader volume) as well as frontal installations.

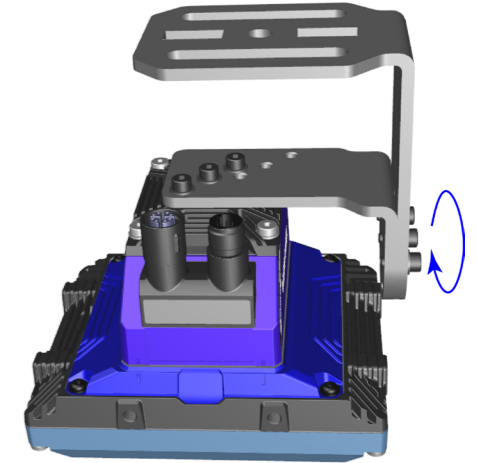


Fig. 8 - Extended mounting

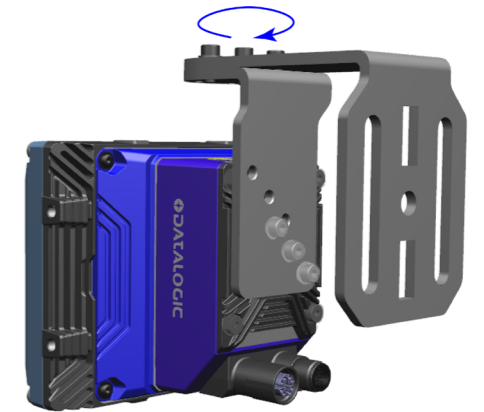


Fig. 9 - Front extended mounting

Mount the body side of the Pivot Fix Bracket onto the heat sink of the reader using the proper set of holes depending on the desired mounting.

To correctly couple the body-side bracket and the frame-side bracket, follow this procedure:

1. Insert a silver screw and a silver washer through the central hole of the frame bracket. Thread the screw loosely into the body-side bracket. This screw can be used as pivot to ease the rotation of the body bracket.
2. Set the desired skew angle by rotating the body bracket and aligning two holes (opposite to the central hole) between the body-side bracket and the frame-side bracket.
3. Tighten two silver screws and two silver washers into the aligned holes to secure the position. Finally tighten the central screw.



**NOTE:** The particular distribution of the holes on the two brackets allows easy adjustment of the skew angle in steps of 15°.

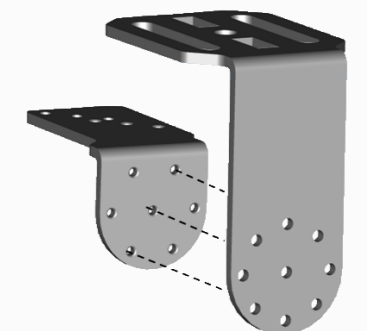


Fig. 10 - Skew angle adjustment